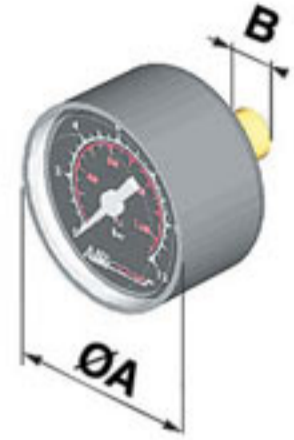


STANDARD



| CODICE-CODE | SCALA | | ØA | B | CH |
|---------------|---------|---------|----|-------|----|
| | BAR | PSI | | | |
| A38.00.00026* | 0 ÷ 12 | 0 ÷ 175 | 40 | G 1/8 | 14 |
| A38.00.00055* | 0 ÷ 6 | 0 ÷ 85 | 40 | G 1/8 | 12 |
| A38.00.00114* | 0 ÷ 2,5 | 0 ÷ 36 | 40 | G 1/8 | 12 |
| A75.01.00010* | 0 ÷ 12 | 0 ÷ 175 | 50 | G 1/8 | 14 |
| A75.01.00011 | 0 ÷ 6 | 0 ÷ 85 | 50 | G 1/8 | 14 |
| A95.01.00026* | 0 ÷ 12 | 0 ÷ 175 | 63 | G 1/4 | 14 |

* versione personalizzata Aircomp

* Aircomp customized version

MINI

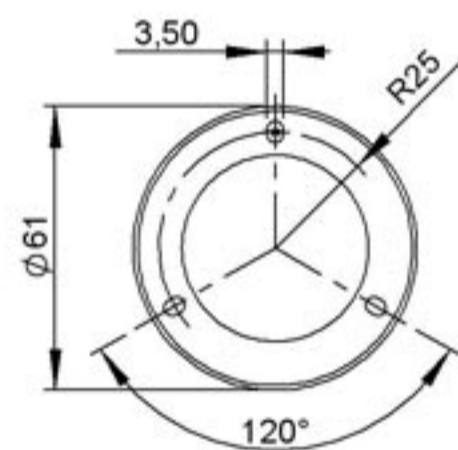


| CODICE-CODE | SCALA | | ØA | B | CH |
|---------------|--------|---------|----|-------|----|
| | BAR | PSI | | | |
| A35.01.00035* | 0 ÷ 6 | 0 ÷ 87 | 25 | G 1/8 | 11 |
| A35.01.00025* | 0 ÷ 12 | 0 ÷ 174 | 25 | G 1/8 | 11 |

* versione personalizzata Aircomp

* Aircomp customized version

FLANGIATO



| CODICE-CODE | SCALA | | B |
|--------------|---------|---------|-------|
| | BAR | PSI | |
| A38.00.00119 | 0 ÷ 2,5 | 0 ÷ 36 | G 1/8 |
| A38.00.00116 | 0 ÷ 6 | 0 ÷ 87 | G 1/8 |
| A38.01.00118 | 0 ÷ 12 | 0 ÷ 174 | G 1/8 |